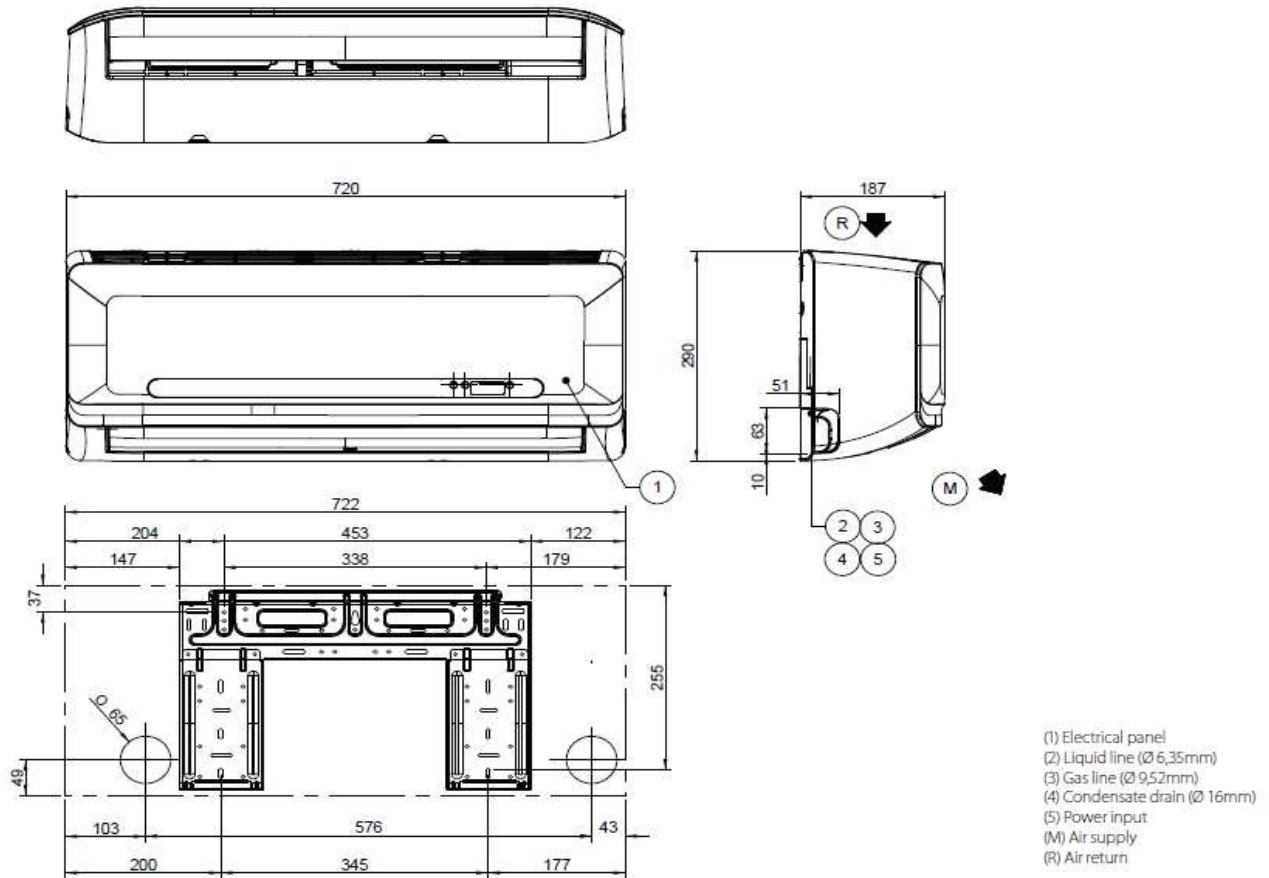


Binnenunit	Fabriekscode	IM1-XY 20M		Code de fabrication		Unité intérieure
Koelmiddel		R32				Réfrigérant
Verwarming (*)	Vermogen	kW	2.6	kW	Puissance	Chauffage (*)
Koeling (*)	Vermogen	kW	2.3	kW	Puissance	Refroid. (*)
Binnendeel	Debiet L/M/H	m³/h	230/300/400	m³/h	Débit L/M/H	
	Geluidsdruk Q/L/M/H (1m)	dB(A)	22/31/36/w.v.	dB(A)	Niv. son. press. Q/L/M/H (1m)	
	Werkingslim. verwarmen	°C	17~30	°C	Plage de fonct. chauff.	
	Werkingslim. koelen	°C	17~30	°C	Plage de fonct. refroid.	
	Hoogte-breedte-lengte	mm	290/187/722	mm	Hauteur/largeur/profond.	
	Gewicht	kg	7.4	kg	Poids	
Tech.install.	Expansie		Ext.		Détente	
	Koelleidingen	inch	3/8 -1/4	inch	Lignes frigorifique	
	Sectie tssn bi en bu	mm²	4G1.5	mm²	Section entre int. et ext.	
	Diam. condensafvoer	mm	16	mm	Diam. évac. Condensat	

(\*) gegevens volgens de norm EN14511

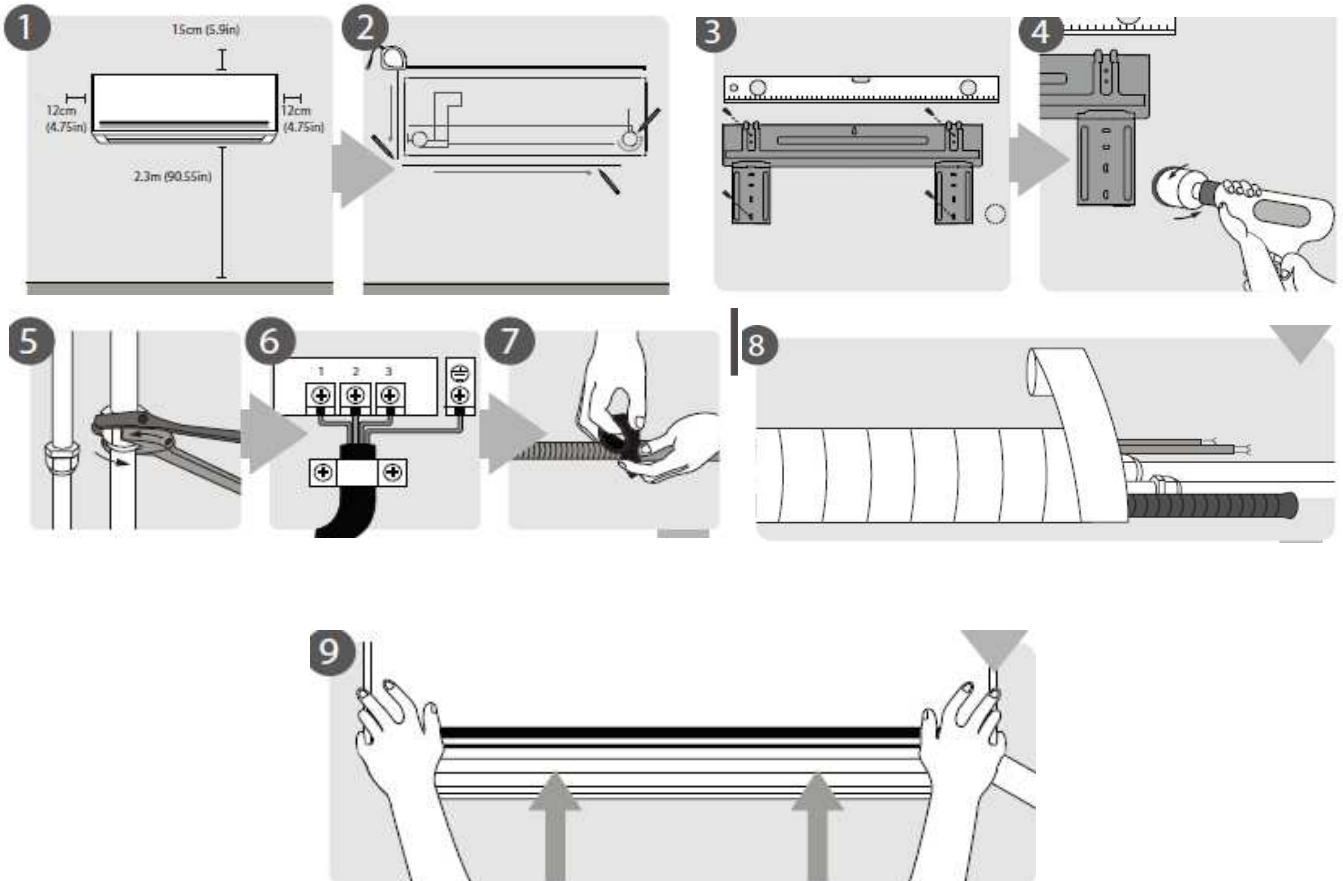
(\*) SCOP &amp; SEER based on (EU)626/2011

(\*) suivant la norme EN14511



Montage

Montage



Bediening

Commande

**ON/OFF**  
Turns the unit on or off

**MODE**  
Scrolls through operation modes as follows:  
AUTO → COOL → DRY → HEAT → FAN

**ECO**  
Starts and stops energy efficient feature. If hold down this button for more than 2 seconds, the sleep feature is activated.

**TIMER**  
Sets timer to turn unit on and off (see **How to Use Basic Functions** for instructions)

**LED**  
Turns indoor unit's LED display on and off.

**FOLLOW ME**  
Temperature sensing and room temperature display button.

**TURBO**  
Enables unit to reach preset temperature in shortest possible time

**FAN**  
Selects fan speeds in the following order:  
AUTO → LOW  
MED → HIGH  
**NOTE:** Holding this button down for 2 seconds will activate Silence feature.

**TEMP +**  
Increases temperature in 1° C increments.  
Max. temperature is 30° C.

**TEMP -**  
Decreases temperature in 1° C increments.  
Min. temperature is 17° C.

**SWING**  
Starts and stops horizontal louver auto swing feature.

**DIRECT**  
Used to set the desired up/down air flow direction. The louver changes 6 degree in angle for each press.

**SELF CLEAN**  
Starts and stops the unit self clean feature.

**SHORTCUT**  
Sets and activates your favourite pre-settings.

Display

Ecran

**ON/OFF display**  
Appears when the unit is turned on, and disappears when it is turned off.

**Transmission Indicator**  
Lights up when remote sends signal to indoor unit

**MODE display**  
Displays the current mode, including:  
AUTO COOL DRY HEAT FAN

**TIMER ON display (ON)**  
Displays when TIMER ON is set

**TIMER OFF display (OFF)**  
Displays when TIMER OFF is set

**Silence feature display**

**Follow me feature display**

**LOCK feature display**

**ECO**  
Displays when ECO feature is activated

**Battery display**  
Low battery detection

**Temperature/Timer display**  
Displays the set temperature by default, or timer setting when using **TIMER ON/OFF** functions

- Temperature range: 17-30° C
- Timer setting range: 0-24 hours

This display is blank when operating in **FAN** mode.

**Fan speed display**  
Displays selected fan speed:

- Low speed
- Medium speed
- High speed
- AUTO Auto fan speed

This fan speed can not be adjusted in **AUTO** or **DRY** mode.

**Sleep mode display**

**Not available for this unit**