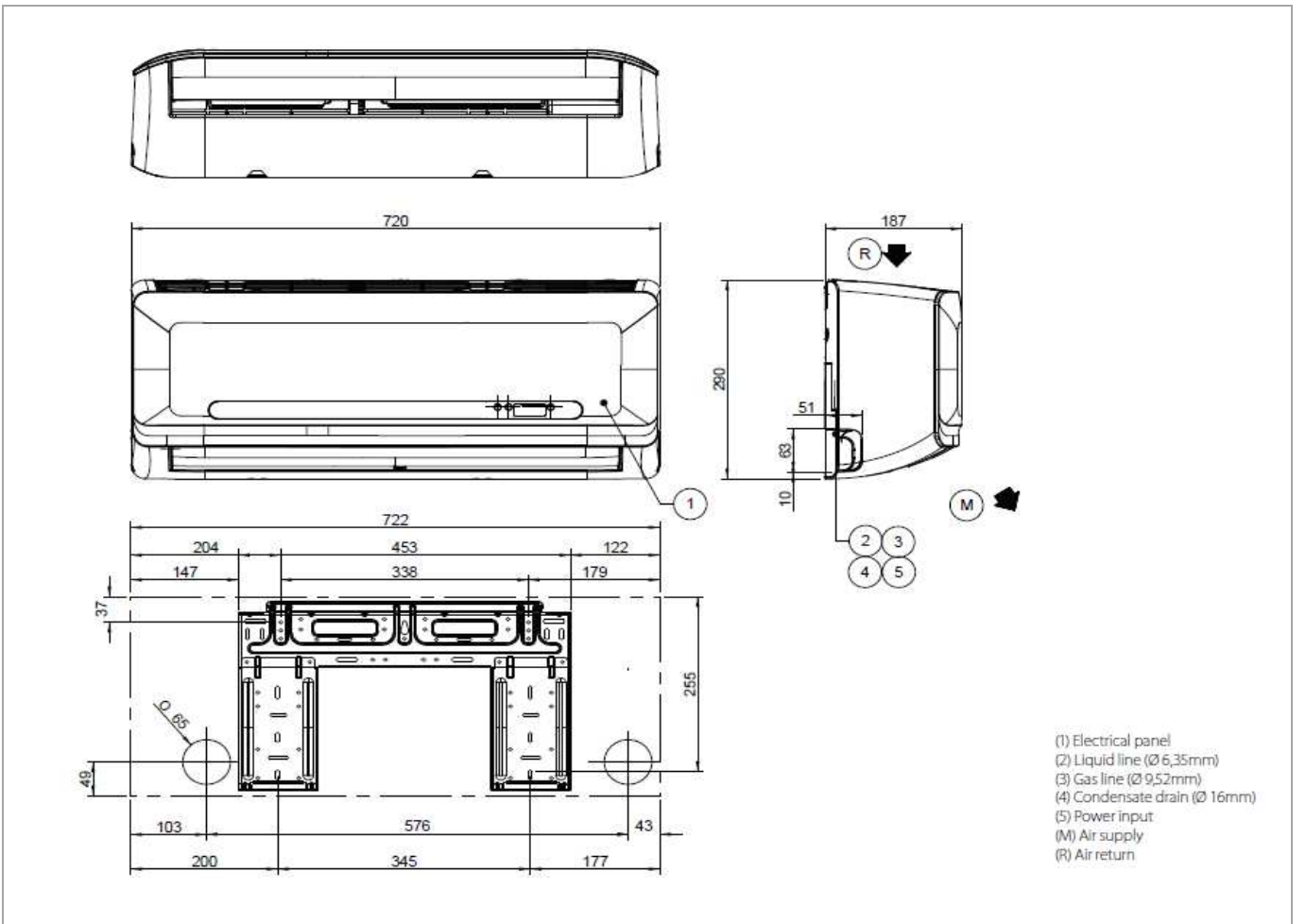


Binnenunit	Fabriekscode	IM1-XY 27M		Code de fabrication		Unité intérieure
Koelmiddel		R32				Réfrigérant
Verwarming (*)	Vermogen	kW	2.9	kW	Puissance	Chauffage (*)
Koeling (*)	Vermogen	kW	2.7	kW	Puissance	Refroid. (*)
Binnendeel	Debiet L/M/H	m³/h	258/432/522	m³/h	Débit L/M/H	
	Geluidsdruk Q/L/M/H (1m)	dB(A)	20/22/33/37	dB(A)	Niv. son. press. Q/L/M/H (1m)	
	Werkingslim. verwarmen	°C	17~30	°C	Plage de fonct. chauff.	
	Werkingslim. koelen	°C	17~30	°C	Plage de fonct. refroid.	
	Hoogte-breedte-lengte	mm	290/187/722	mm	Hauteur/largeur/profond.	
	Gewicht	kg	7.4	kg	Poids	
Tech.install.	Expansie		Ext.		Détente	
	Koelleidingen	inch	3/8 -1/4	inch	Lignes frigorifique	
	Sectie tssn bi en bu	mm²	4G1.5	mm²	Section entre int. et ext.	
	Diam. condensafvoer	mm	16	mm	Diam. évac. Condensat	

(*) gegevens volgens de norm EN14511

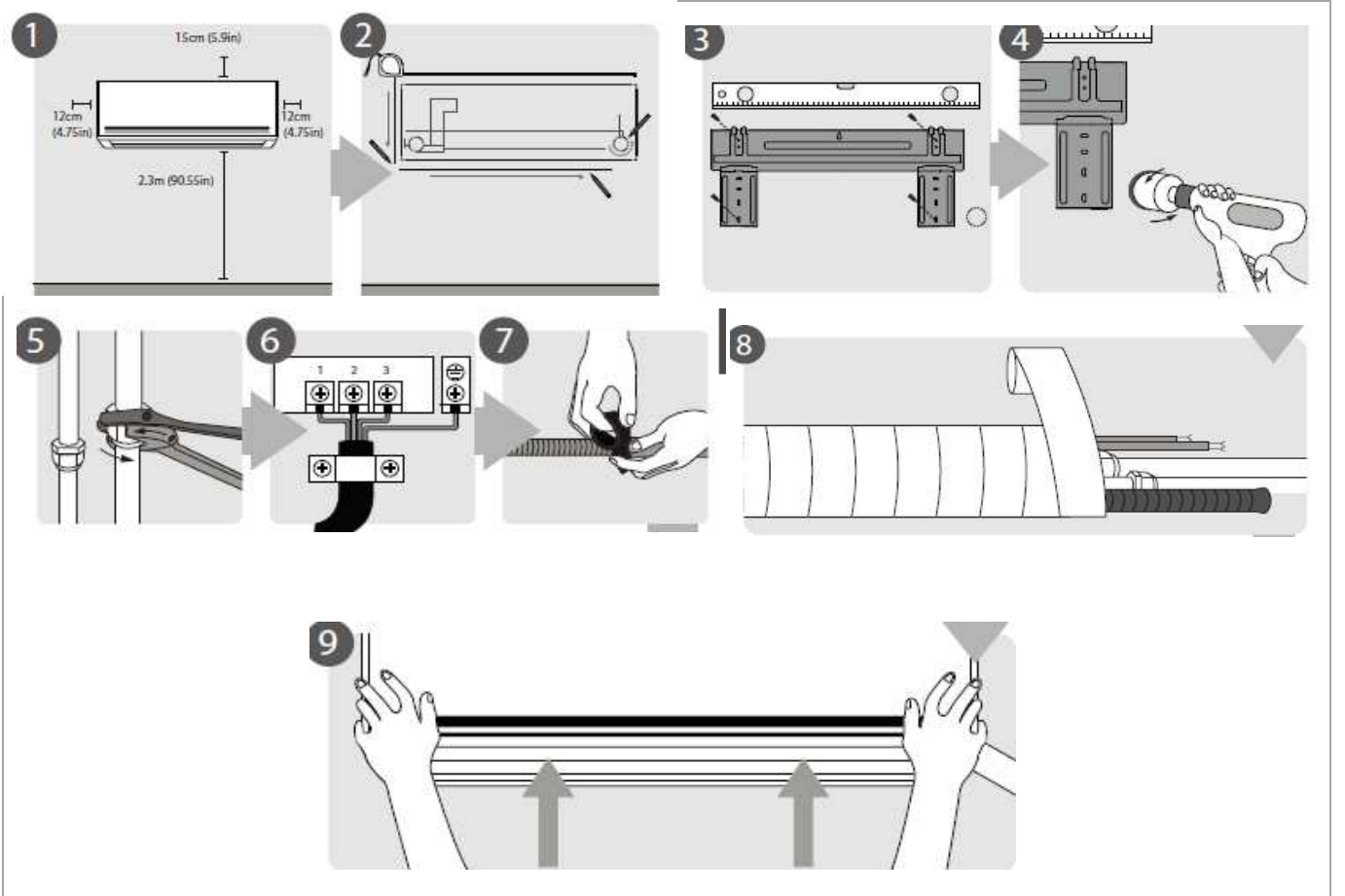
(*) SCOP & SEER based on (EU)626/2011

(*) suivant la norme EN14511



Montage

Montage



ON/OFF
Turns the unit on or off

MODE
Scrolls through operation modes as follows:
AUTO → COOL → DRY
HEAT → FAN

ECO
Starts and stops energy efficient feature. If hold down this button for more than 2 seconds, the sleep feature is activated.

TIMER
Sets timer to turn unit on and off (see How to Use Basic Functions for instructions)

LED
Turns indoor unit's LED display on and off.

FOLLOW ME
Temperature sensing and room temperature display button.

TURBO
Enables unit to reach preset temperature in shortest possible time

SHORTCUT
Sets and activates your favourite pre-settings.

FAN
Selects fan speeds in the following order:
AUTO → LOW
MED → HIGH
NOTE: Holding this button down for 2 seconds will activate Silence feature.

TEMP +
Increases temperature in 1°C increments. Max. temperature is 30°C.

TEMP -
Decreases temperature in 1°C increments. Min. temperature is 17°C.

SWING
Starts and stops horizontal louver auto swing feature.

DIRECT
Used to set the desired up/down air flow direction. The louver changes 6 degree in angle for each press.

SELF CLEAN
Starts and stops the unit self clean feature.

ON/OFF display
Appears when the unit is turned on, and disappears when it is turned off.

Transmission Indicator
Lights up when remote sends signal to indoor unit

MODE display
Displays the current mode, including:
AUTO COOL DRY HEAT FAN

TIMER ON display (ON)
Displays when TIMER ON is set

TIMER OFF display (OFF)
Displays when TIMER OFF is set

Silence feature display

Follow me feature display

LOCK feature display

ECO
Displays when ECO feature is activated

Battery display
Low battery detection

Temperature/Timer display
Displays the set temperature by default, or timer setting when using TIMER ON/OFF functions
• Temperature range: 17-30°C
• Timer setting range: 0-24 hours

Fan speed display
Displays selected fan speed:
* Low speed
* Medium speed
* High speed
* AUTO Auto fan speed

This fan speed can not be adjusted in AUTO or DRY mode.

Not available for this unit (Sleep mode display)